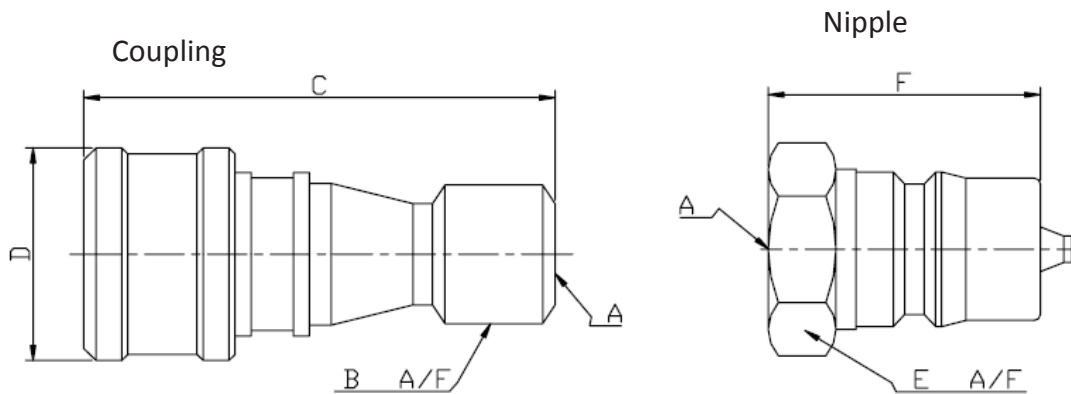


Quick Release Cam Couplings



Specifications

- 1/8" - 1" (DN6—DN25)
- Nitrile seal (others available)
- Interchangeable with other manufactures
- ISO series B interchange

- BSP threaded (NPT available)
- 5500psi (380 BAR) pressure
- Low pressure drop
- High flow rate
- Can be supplied without valves

SIZE A BSPP	B	C	D	E A/F	F	Working Pressure BAR (4:1 Safety)	Kg/100 Coupling	Kg/100 Nipple
1/8	17.45	51.30	23.62	14.22	35.05	280	12	3
1/4	19.05	57.15	28.45	19.05	38.35	380	15	4
3/8	25.40	65.28	35.05	22.35	44.20	260	23	7
1/2	31.75	74.93	44.45	32.26	51.05	260	41	13
3/4	38.10	88.39	54.10	35.05	59.18	210	68	20
1	44.45	105.16	63.50	41.40	71.37	210	104	34

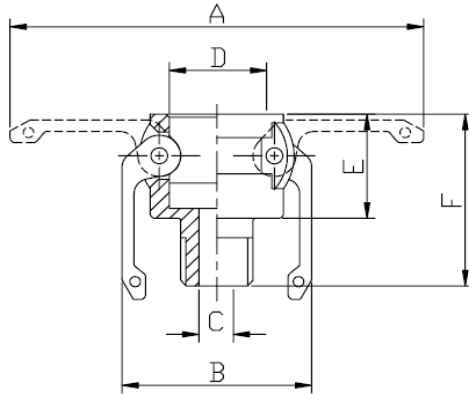
Quick Release Cam Couplings

Specifications

-1/2" - 6" (DN15—DN150)
 -316 Stainless Steel
 -100°C max with Buna
 -BSPP threaded (NPT available)

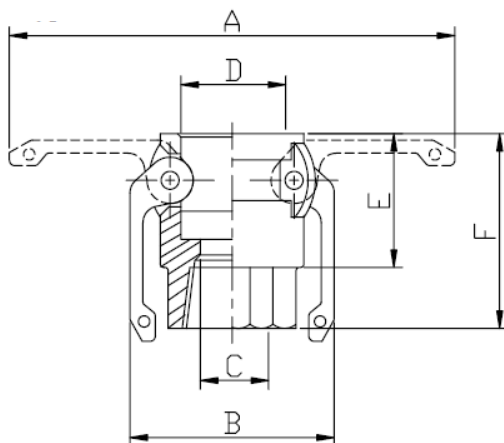
-MIL-C-27487 interchangeability
 -Buna N seals (nitrile)
 -Test pressures 1/2" to 4" 21 Bar (3000 psi)
 5" to 6" 14 Bar (200 psi)

Coupler Male Type B



SIZE BSPP	A	B	C	D	E	F	Kg/100
1/2	115	52	17	32.4	32	52	13.3
3/4	115	52	19	32.4	32	52	23.4
1	137	61	24	37.3	39	62	34.5
1 1/4	183	81	28	46.0	48	72	59.3
1 1/2	191	89	35	54.0	49	73	71.4
2	201	99	48	63.7	54	81	93.0
2 1/2	213	111	58	76.4	58	89	134.9
3	267	137	72	92.2	60	93	177.0
4	296	166	96	102.2	63	99	233.5
5	322	192	117	146.0	65	103	363.0
6	454	258	142	176.0	70	113	536.9

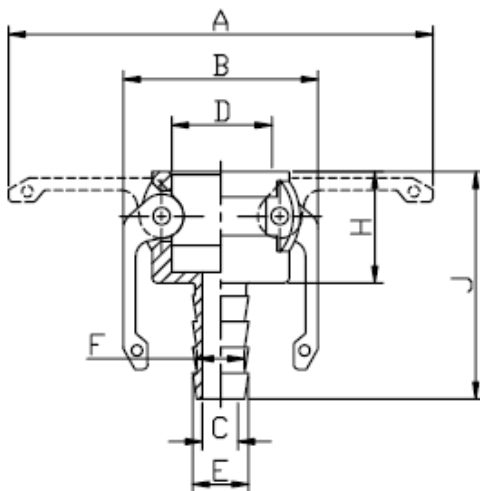
Coupler Female Type



SIZE BSPP	A	B	C	D	E	F	Kg/100
1/2	115	52	16	32.4	32	52	14.7
3/4	115	52	19	32.4	32	52	26.3
1	137	61	26	37.3	39	61	36.4
1 1/4	183	81	33	46.0	48	68	63.4
1 1/2	191	89	38	54.0	49	71	77.7
2	201	99	50	63.7	54	78	98.2
2 1/2	213	111	61	76.4	58	84	124.3
3	267	137	75	92.2	60	90	182.5
4	296	166	100	102.2	63	93	263.0
5	322	192	125	146.0	65	101	395.0
6	454	258	150	176.0	70	115	681.8

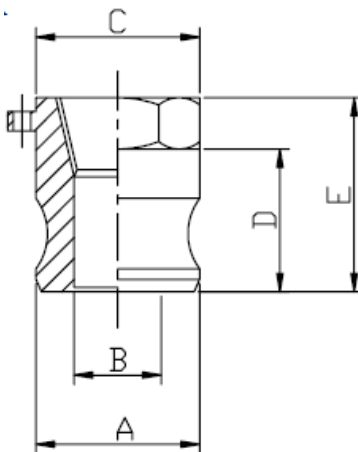
Quick Release Cam Couplings

Coupler Hose
Part C



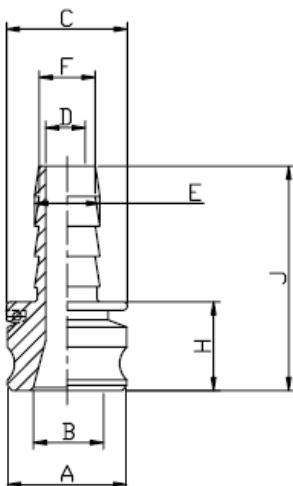
SIZE Hose	A	B	C	D	E	F	H	J	Kg/100
1/2	103	39	10	32.4	15.0	12.5	31	73	14.9
3/4	115	52	14	32.4	21.4	18.6	32	83	25.5
1	137	61	20	37.3	27.4	25.0	39	99	39.0
1 1/4	183	81	25	46.0	33.9	31.8	48	112	61.7
1 1/2	191	89	31	54.0	40.5	37.7	49	115	76.1
2	201	99	43	63.7	53.2	50.0	54	131	106.0
2 1/2	213	111	55	76.4	66.7	63.0	58	154	138.8
3	267	137	67	92.2	79.0	75.0	60	164	213.7
4	296	166	91	120.2	104.8	100.8	63	176	299.7
5	322	192	117	146.0	134.0	130.0	65	192	464.0
6	454	258	142	176.0	155.6	152.4	70	2113	726.2

Adaptor Female Type A



SIZE BSPP	A	B	C	D	E	Kg/100
1/2	32.0	16	34	28	38	6.0
3/4	32.0	21	34	28	38	12.9
1	36.7	24	41	34	47	13.0
1 1/4	45.5	29	48	41	56	26.5
1 1/2	53.4	36	56	43	59	36.1
2	63.0	45	67	48	65	50.3
2 1/2	75.8	56	83	51	87	101.1
3	91.5	73	96	53	73	110.5
4	119.5	99	127	53	78	188.0
5	145.5	122	168	55	79	270.0
6	175.9	148	192	60	86	301.1

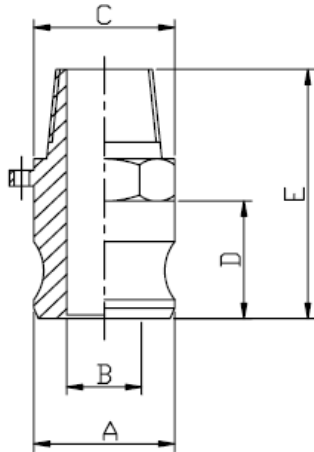
Adaptor Hose
Type E



SIZE BSPP	A	B	C	D	E	F	H	J	Kg/100
1/2	32.0	16	29	10	15.0	12.5	29	64	8.5
3/4	32.0	21	33	14	21.4	18.6	38	89	15.1
1	36.7	24	39	20	27.4	25.0	44	104	22.6
1 1/4	45.5	29	48	25	33.9	31.8	51	111	41.7
1 1/2	53.4	35	56	31	40.5	37.7	53	119	64.6
2	63.0	45	66	43	53.2	50.0	58	135	90.0
2 1/2	75.8	56	80	55	66.7	63.0	64	160	124.8
3	91.5	67	102	67	79.0	75.0	66	170	177.5
4	119.5	91	133	91	104.8	100.8	69	182	274.5
5	145.5	122	158	117	134.0	130.0	73	200	470.0
6	175.9	148	183	142	155.6	152.4	78	221	627.8

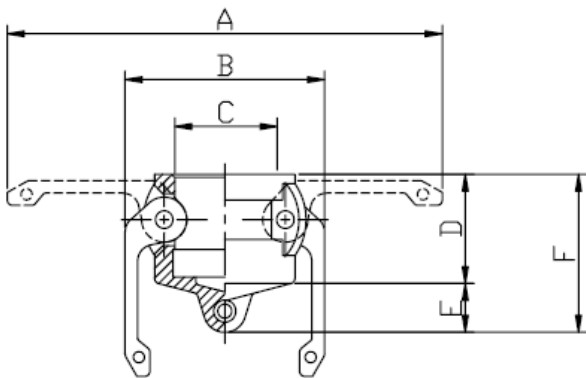
Quick Release Cam Couplings

Adaptor Male Type F



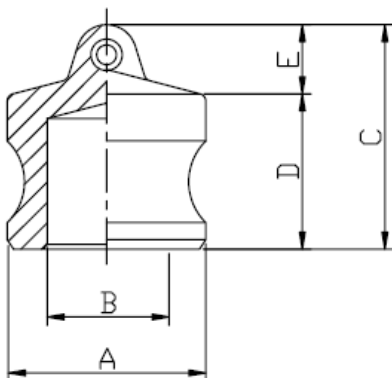
SIZE BSPT	A	B	C	D	E	Kg/100
1/2	32.0	16.0	34	28	58	10.8
3/4	32.0	21.0	34	28	58	17.5
1	36.7	24.0	41	34	70	25.7
1 1/4	45.5	29.0	48	41	80	43.8
1 1/2	53.4	36.0	56	43	83	58.5
2	63.0	45.5	72	48	91	91.7
2 1/2	75.8	56.0	83	51	100	125.2
3	91.5	73.0	96	53	106	196.0
4	119.5	99.0	127	53	114	333.0
5	145.5	122.0	168	55	117	404.0
6	175.9	146.0	192	60	129	471.6

Dust cap Type DC



SIZE	A	B	C	D	E	F	Kg/100
1/2	103	39	32.4	32	11	43	12.8
3/4	115	52	32.4	32	12	44	12.7
1	137	61	37.3	39	14	53	30.7
1 1/4	183	81	46.0	48	16	64	54.0
1 1/2	191	89	54.0	49	20	69	66.2
2	201	99	63.7	54	23	77	82.8
2 1/2	213	111	76.4	58	25	83	106.7
3	267	137	92.2	60	28	88	159.2
4	296	166	120.2	63	30	93	222.6
5	322	192	146.0	65	30	95	351.0
6	454	258	176.0	70	33	103	511.0

Dust plug Type DP



SIZE	A	B	C	D	E	Kg/100
1/2	32.0	16	37	28	12	7.4
3/4	32.0	21	37	25	12	10.3
1	36.7	24	45	31	14	15.7
1 1/4	45.5	29	54	38	16	31.0
1 1/2	53.4	35	59	39	20	41.7
2	63.0	45	66	43	23	51.2
2 1/2	75.8	56	72	47	25	63.4
3	91.5	71	76	48	26	101.8
4	119.5	99	80	50	30	182.0
5	145.5	122	86	53	33	270.0
6	175.9	148	95	60	35	380.0