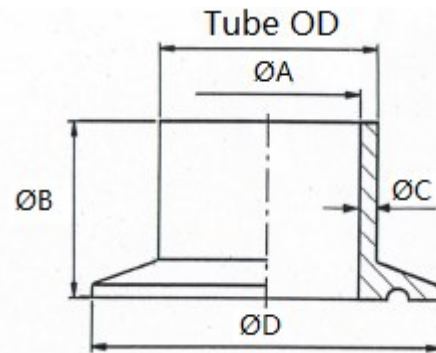


Clamp Weld Fittings — Nominal Bore

Clamp Ferrule EN 20286-1

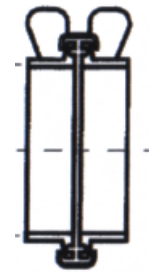
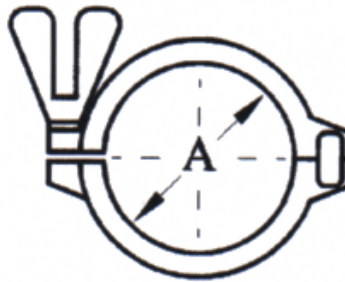


| NB Size | | A | | B | C | | D | CODE | |
|---------|--------|--------|--------|------|--------|--------|------|---------|---------|
| | | Sch 10 | Sch 40 | | Sch 10 | Sch 40 | | Sch 10 | Sch 40 |
| Inch | mm | mm | mm | mm | mm | mm | mm | | |
| 0.5 | 21.34 | 17.12 | 15.80 | 21.5 | 2.11 | 2.77 | 34 | * | * |
| 0.75 | 26.67 | 22.45 | 20.93 | 21.5 | 2.11 | 2.87 | 50.5 | * | * |
| 1 | 33.4 | 27.86 | 26.64 | 21.5 | 2.77 | 3.38 | 50.5 | E01-10C | E01-10D |
| 1.5 | 48.26 | 42.72 | 40.90 | 21.5 | 2.77 | 3.68 | 64 | E01-15C | E01-15D |
| 2 | 60.33 | 54.79 | 52.51 | 21.5 | 2.77 | 3.91 | 77.5 | E01-20C | E01-20D |
| 2.5 | 73.03 | 66.93 | 62.71 | 21.5 | 3.05 | 5.16 | 91 | E01-25C | E01-25D |
| 3 | 88.90 | 82.80 | 77.92 | 21.5 | 3.05 | 5.49 | 106 | E01-30C | E01-30D |
| 4 | 114.30 | 108.20 | 102.26 | 21.5 | 3.05 | 6.02 | 130 | E01-40C | E01-40D |

Note: Any items without a product code are not stocked but can be sourced to requirements, for information on any sizes that are not stated please contact the sales office

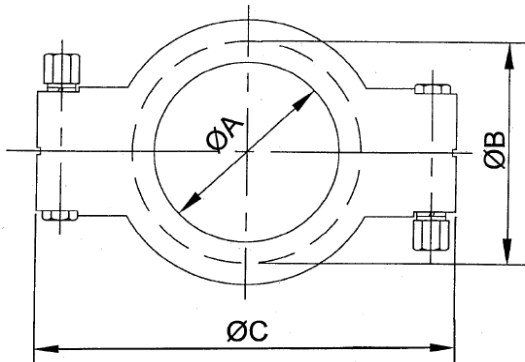
Clamp Weld Fittings — Nominal Bore

Heavy Duty Clamp and Clamp Assembly EN 20286-1



| NB SIZE | | DIM A | CODE |
|---------|--------|-------|----------|
| Inch | mm | mm | |
| 0.5 | 21.34 | 34 | * |
| 0.75 | 26.67 | 50 | E002-15 |
| 1 | 33.4 | 50 | E002-15 |
| 1.5 | 48.26 | 64 | E002-20 |
| 2 | 60.33 | 77.5 | E002-25 |
| 2.5 | 73.03 | 91 | E002-30 |
| 3 | 88.90 | 106 | E002-30A |
| 4 | 114.30 | 130 | E002-40A |

13MHP—High Pressure Clamp EN 20286-1

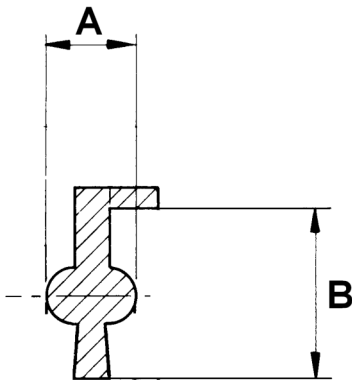


| SIZE | | A | B | C | Code |
|-------|-------|------|------|-------|---------|
| Inch | mm | mm | mm | mm | |
| 0.75" | 26.67 | 50 | 28 | 53.6 | E003-05 |
| 1" | 33.4 | 50 | 52 | 95.7 | E003-15 |
| 1.5" | 48.26 | 64 | 65.5 | 109.5 | E003-20 |
| 2" | 60.33 | 77.5 | 79 | 124.3 | E003-25 |
| 2.5" | 73.03 | 91 | 92.5 | 135.4 | E003-30 |

Note: Many of the nominal bore clamp ferrules will fit our standard clamps, the sizing does vary so if you are unsure which clamp you need or if you require a size that is not listed please contact the sales office.

Clamp Weld Fittings — Nominal Bore

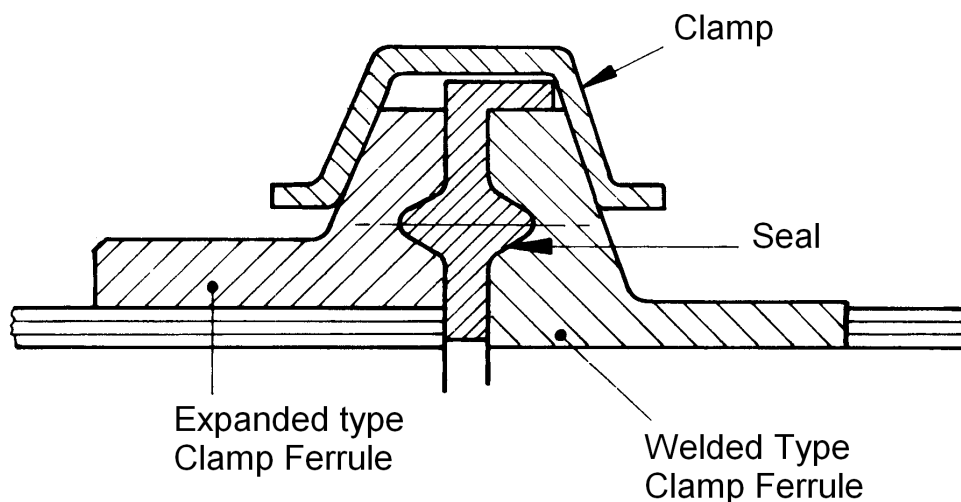
Clamp Joint Ring EN 20286-1



| Tube OD | | A | B | CODE |
|---------|--------|------|------|---------|
| Inch | mm | mm | mm | |
| 0.5 | 21.34 | 5.55 | 34 | * |
| 0.75 | 26.67 | 5.55 | 50 | E03-10 |
| 1 | 33.4 | 5.5 | 50 | E03-15 |
| 1.5 | 48.26 | 5.5 | 64 | E03-20 |
| 2 | 60.33 | 5.5 | 77.5 | E03-25 |
| 2.5 | 73.03 | 5.5 | 91 | E03-30 |
| 3 | 88.90 | 5.5 | 106 | E03-30A |
| 4 | 114.30 | 5.5 | 130 | E03-40A |

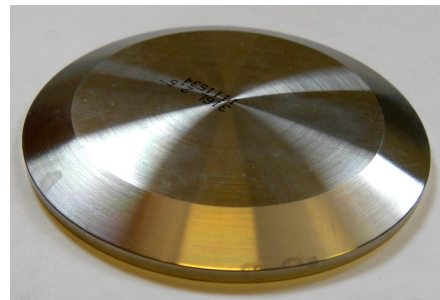
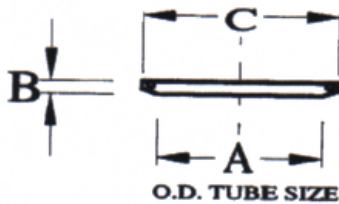
NOTE: The standard Clamp Joint Ring is supplied in EPDM, other materials available include Viton, Silicone, PTFE/Viton envelope & PTFE solid. Many of the nominal bore clamp ferrules will fit our standard clamp seals, the sizing does vary so if you are unsure which clamp seal you need or if you require a size that is not listed please contact the sales office.

Clamp Union Cross Section



Clamp Weld Fittings — Nominal Bore

Clamp Blank Cap EN 20286-1



| SIZE | DIM B | DIM C | CODE |
|-------|-------|-------|---------|
| 0.5" | 6.25 | 34 | * |
| 0.75" | 6.25 | 50 | E04-15 |
| 1" | 6.25 | 50 | E04-15 |
| 1.5" | 6.25 | 64 | E04-20 |
| 2" | 6.25 | 77.5 | E04-25 |
| 2.5" | 6.25 | 91 | E04-30 |
| 3" | 6.25 | 106 | E04-30A |
| 4" | 8 | 130 | E04-40A |

Note: Many of the nominal bore clamp ferrules will fit our standard clamp blanks, the sizing does vary so if you are unsure which clamp blank you need or if you require a size that is not listed please contact the sales office.