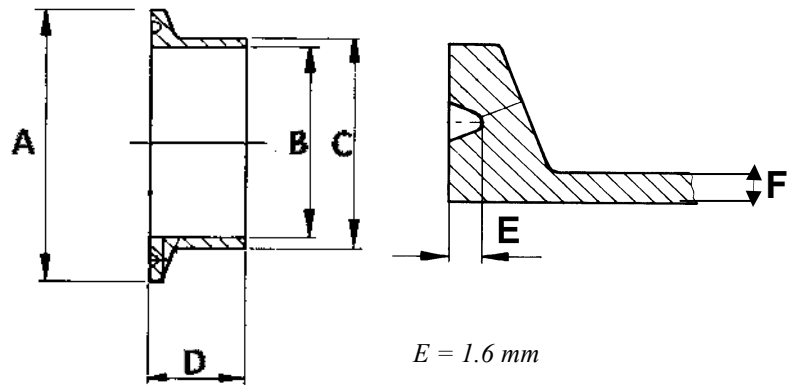


Clamp Weld Fittings — DIN32676

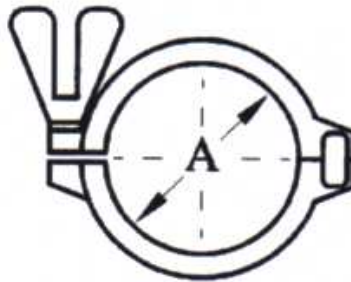
Clamp Ferrule DIN32676



Size	A	B	C	D	F	CODE
DN	mm	mm	mm	mm	mm	
10	34	10	13	18.0	1.5	E01-050E
15	34	16	19	18.0	1.5	E01-075E
20	34	20	23	18.0	1.5	E01-080
25	50.5	26	29	21.5	1.5	E01-10E
32	50.5	32	35	21.5	1.5	E01-12A
40	50.5	38	41	21.5	1.5	E01-15E
50	64	50	53	21.5	1.5	E01-20E
65	91	66	70	28.0	2	E01-25E
80	106	81	85	28.0	2	E01-30E
100	119	100	104	28.0	2	E01-40E
150	183	150	154	28	2	E01-60A
200	233	200	204	28	2	E01-80A

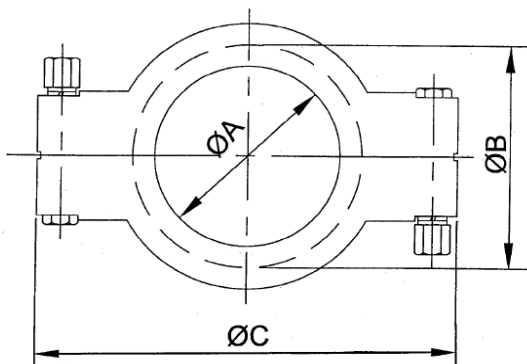
Clamp Weld Fittings — DIN32676

Heavy Duty Clamp and Clamp Assembly DIN32676



SIZE	DIM A	CODE
DN	mm	
10	34	*
15	34	*
20	34	*
25	50.5	E002-15
32	50.5	E002-15
40	50.5	E002-15
50	64	E002-20
65	91	E002-30
80	106	E002-30A
100	119	E002-40
150	183	E002-60A
200	233	E002-80B

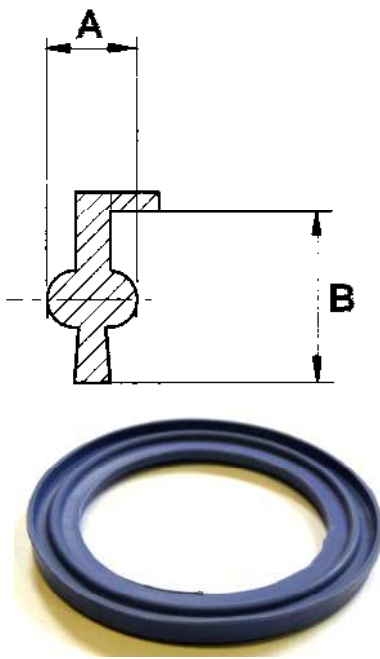
13MHP—High Pressure Clamp DIN32676



SIZE	A	B	C	Code
DN	mm	mm	mm	
25-40	50.5	28	53.6	E003-15
50	64	52	95.7	E003-20
65	91	65.5	109.5	E003-30
100	119	79	124.3	E003-40

Clamp Weld Fittings — DIN32676

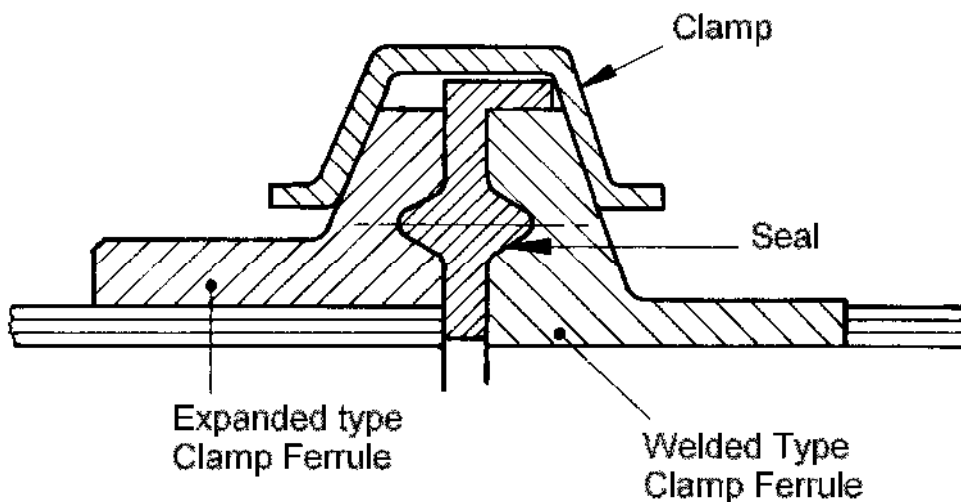
Clamp Joint Ring DIN32676



55Size	A	B	CODE
DN	mm	mm	
10	5.5	34	*
15	5.5	34	*
20	5.5	34	*
25	5.5	50.5	E03-10
32	5.5	50.5	E03-15
40	5.5	50.5	E03-15
50	5.5	64	E03-20
65	5.5	91	E03-30
80	5.5	106	E03-30A
100	5.5	119	E03-40
150	5.5	183	E03-60A
200	5.5	233.5	E03-82

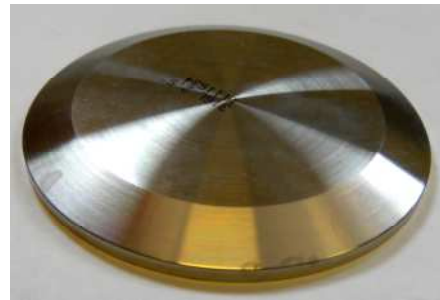
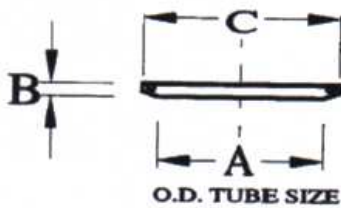
NOTE: The standard Clamp Joint Ring is supplied in Black EPDM, other materials available upon request include Viton, Silicone, PTFE/Viton envelope & PTFE solid.

Clamp Union Cross Section



Clamp Weld Fittings — DIN32676

Clamp Blank Cap DIN32676



SIZE	DIM B	DIM C	CODE
DN	mm	mm	
10	6.25	34	*
15	6.25	34	*
20	6.25	34	*
25	6.25	50.5	E04-15
32	6.25	50.5	E04-15
40	6.25	50.5	E04-15
50	6.25	64	E04-20
65	6.25	91	E04-30
80	8	106	E04-30A
100	7.9	119	E04-40
125	7.9	155	E04-50
150	11.1	183	E04-62
200	11.1	233.50	E04-82