

Ball Valve—1 Pce BSP

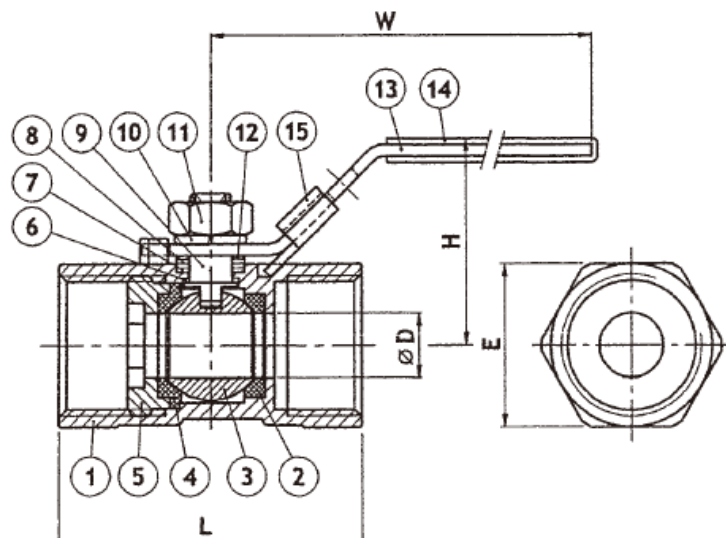
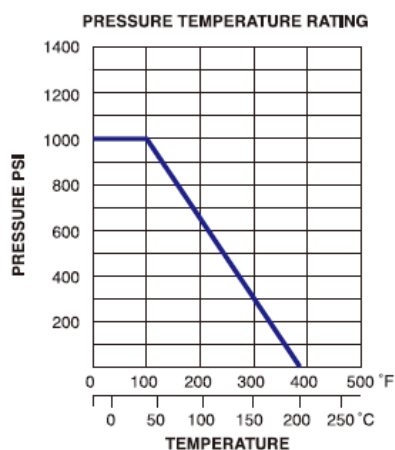


SIZE		øD	E	H	L	W
Inch	DN					
1/4"	8	5	17	30	39	70
3/8"	10	6.8	21	34	44	90
1/2"	15	9.2	25	41	56.5	100
3/4"	20	12.5	32	44	59	100
1"	25	15	38	50	71	110
1.1/4"	32	20	48	55	78	110
1.1/2"	40	25	53	64	83	135
2"	50	32	65	71	100	145

Features

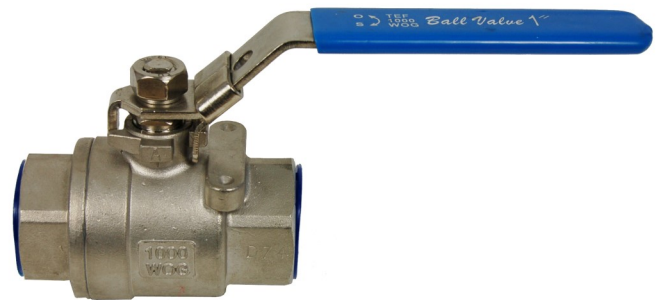
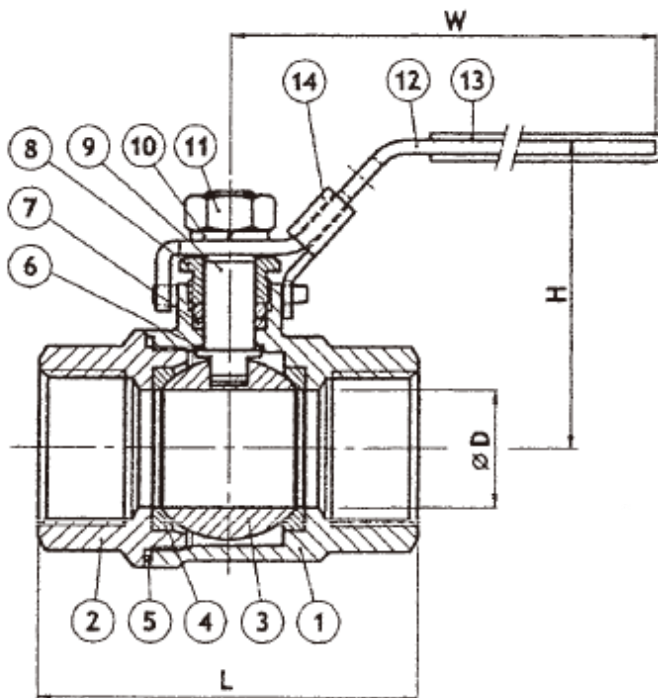
- Investment Casting
- Blow-out Proof Stem Design
- Pressure Rating: 1000 PSI / PN 63
- Temperature Range: -20°C~+180°C
- Pipe Thread: DIN 2999, DIN 259, BSP, NPT
- Material: SS316/ 1.4408 EN 10213-4 / ASTM A-351 Gr CF8M S45C/ 1.0619 EN 10213-2/ ASTM A-216 Gr WCB
- Option Locking Device

No.	Part Name	QTY (PC)	Material	
			SS316	WCB
1	Body	1	SS316	WCB
2	Seat	1	PTFE	PTFE
3	Ball	1	SS316	SS316
4	Seat	1	PTFE	PTFE
5	Insert	1	SS316	SS41
6	Thrust Washer	1	PTFE	PTFE
7	Stem Packing	1	PTFE	PTFE
8	Washer	1	SS304	SS304
9	Stem	1	SS316	SS316
10	Spring Washer	1	SS304	SS304
11	Stem Nut	1	SS304	SS304
12	Bevel Washer	1	SS304	SS304
13	Handle	1	SS304	SS304
14	Handle Cover	1	Plastic	PLASTIC
15	Locking Device	1	SS304	SS304



Ball Valve—2 Pce BSP

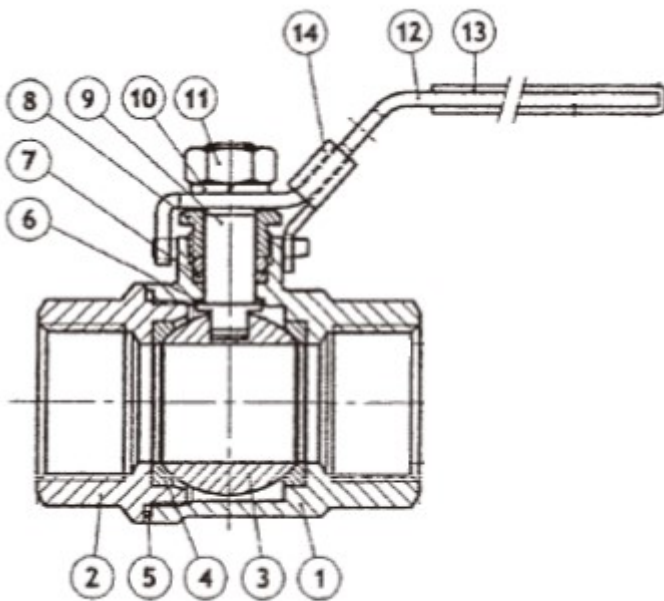
2 Piece, Full Bore, BSP Female



Size		C	D	A	B	Code
Inch	mm	mm	mm	mm	mm	
1/4"	8	12.8	51	49	95	SV02-02
3/8"	10	12.8	51	49	95	SV02-03
1/2"	15	15	55	57	95	SV02-04
3/4"	20	20	59	65	110	SV02-06
1"	25	25	73	78	135	SV02-10
1.1/4"	32	32	78	90.5	135	SV02-12
1.1/2"	40	38	91	105	165	SV02-15
2"	50	50	99	127	165	SV02-20

Ball Valve—2 Pce BSP

2 Piece, Full Bore, BSP Female

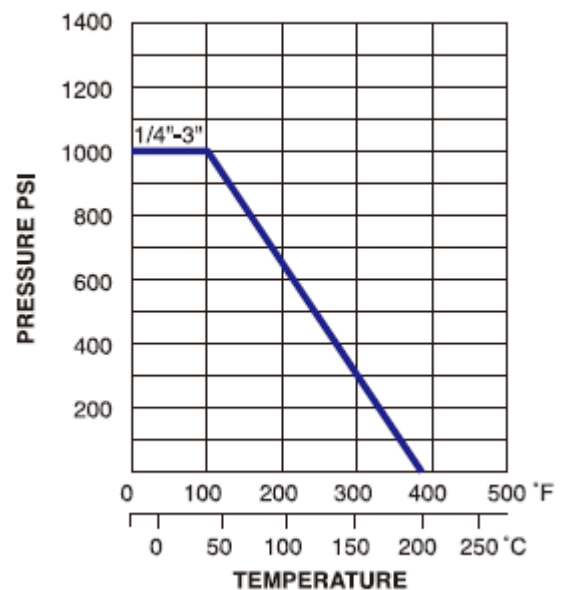


No.	Part Name	QTY (PC)	Material	
			SS316	WCB
1	Body	1	SS316	WCB
2	End Cap	1	SS316	WCB
3	Ball	1	SS316	SS316
4	Seat	2	PTFE	PTFE
5	Joint Gasket	1	PTFE	PTFE
6	Thrust Washer	1	PTFE	PTFE
7	Stem Packing	2	PTFE	PTFE
8	Gland Nut	1	SS304	SS304
9	Stem	1	SS316	SS316
10	Stem Washer	1	SS304	SS304
11	Stem Nut	1	SS304	SS304
12	Handle	1	SS304	SS304
13	Handle Cover	1	Plastic	PLASTIC
14	Locking Device	1	SS304	SS304

Features

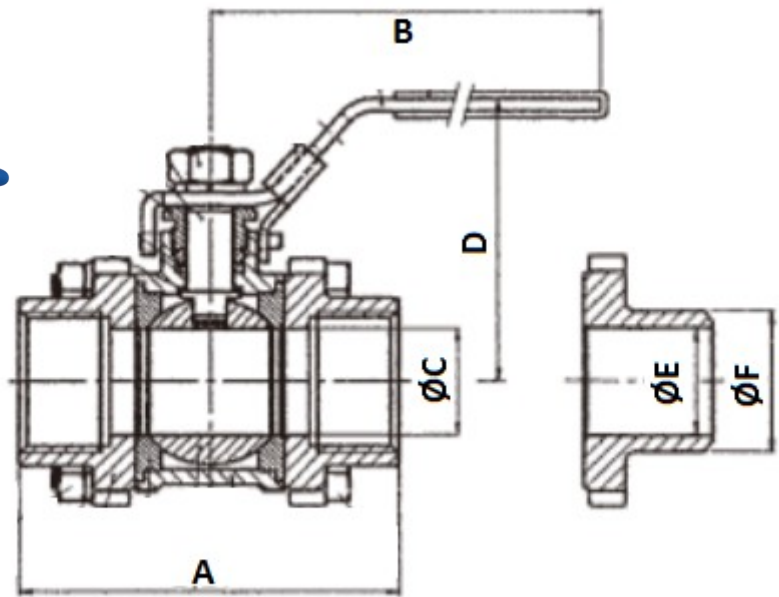
- Investment Casting
- Blow-out Proof Stem Design
- Pressure Rating: 1/4"~2" 1000PSI / PN63
2.1/2"~3" 1000PSI / PN40
- Temperature Range: -20°C~+180°C
- Pipe Thread: DIN 2999, DIN 259, BSP
- Material: SS316/ 1.4408 EN 10213-4 /
ASTM A-351 Gr CF8M S45C/ 1.0619 EN
10213-2/ ASTM A-216 Gr WCB
- Option Locking Device

PRESSURE TEMPERATURE RATING



Ball Valve—3 Pce BSP

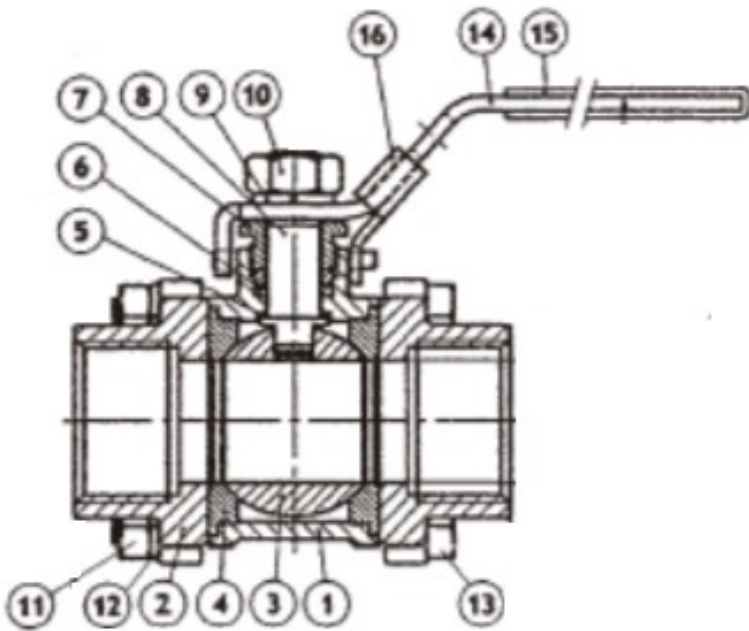
3 Piece, Full Bore, BSP Female



Size		A	B	øC	D	øE	øF	Code
Inch	mm	mm	mm	mm	mm	mm	mm	
1/4"	8	59	95	12.8	51	12	18	SV03-02
3/8"	10	59	95	12.8	51	14	18	SV03-03
1/2"	15	64	95	15	55	17.1	22	SV03-04
3/4"	20	75	110	20	59	22.5	27.5	SV03-06
1"	25	85	135	25	73	28	33.5	SV03-10
1.1/4"	32	97	135	32	78	33.5	44	SV03-12
1.1/2"	40	110	165	38	91	43	50	SV03-15
2"	50	132	165	50	99	53	61.5	SV03-20

Ball Valve—3 Pce BSP

3 Piece, Full Bore, BSP Female



No.	Part Name	QTY (PC)	Material	
			SS316	WCB
1	Body	1	SS316	WCB
2	End Cap	2	SS316	WCB
3	Ball	1	SS316	SS304
4	Seat	2	PTFE	PTFE
5	Thrust Washer	1	PTFE	PTFE
6	Stem Packing	2	PTFE	PTFE
7	Gland Nut	1	SS304	SS304
8	Stem	1	SS316	SS316
9	Stem Washer	1	SS304	SS304
10	Stem Nut	1	SS304	SS304
11	NUT	4 ; 6	SS304	SS304
12	Spring Washer	4 ; 6	SS304	SS304
13	Bolt	4;6	SS304	SS304
14	Handle	1	SS304	SS304
15	Handle Cover	1	Plastic	PLASTIC
16	Locking Device	1	SS304	SS304

Features

- Investment Casting
- Blow-out Proof Stem Design
- Pressure Rating: 1/4" ~ 2" 1000PSI / PN63
2.1/2" ~ 4" 1000PSI / PN40
- Temperature Range: -20°C ~ +180°C
- End Type: Threaded/ Butt Weld/ Socket Weld
- Pipe Thread: DIN 2999, DIN 259, BSP
- Material: SS316/ 1.4408 EN 10213-4 /
ASTM A-351 Gr CF8M
S45C/ 1.0619 EN 10213-2/ ASTM A-216 Gr WCB
- Option Locking Device

PRESSURE TEMPERATURE RATING

