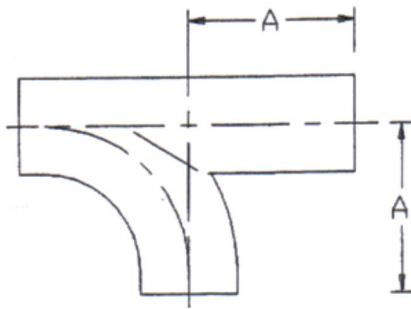


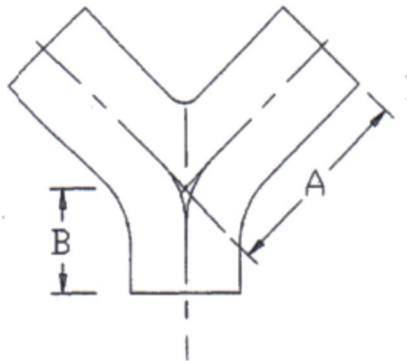
## Swept Tee, 'Y'-Piece, Crosses & 'U' Bends

### Swept Tee



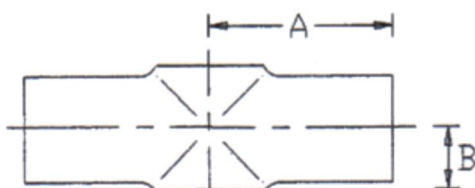
SIZE		DIM A	CODE
Inch	mm	Mm	
1"	25.4	44	P216-10
1 1/2"	38.1	64	P216-15
2"	50.8	89	P216-20
2 1/2"	63.5	114	P216-25
3"	76.2	134	P216-30
4"	101.6	174	P216-40
6"	154mm	225	P216-60

### 'Y' Piece



SIZE		DIM A	DIM B	CODE
Inch	mm	mm	mm	
1"	25.4	44	22	P215-10
1 1/2"	38.1	64	31	P215-15
2"	50.8	89	44	P215-20
2 1/2"	63.5	114	58	P215-25
3"	76.2	134	67	P215-30
4"	101.6	174	85	P215-40

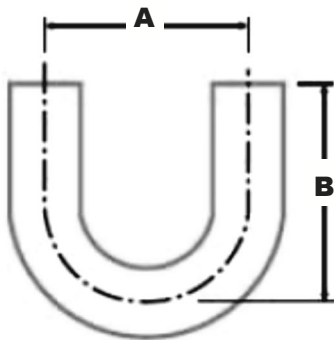
### Pulled Cross



SIZE		DIM A	DIM B	CODE
Inch	mm	mm	mm	
1"	25.4	44	15	P218-10
1 1/2"	38.1	64	22	P218-15
2"	50.8	89	28	P218-20
2 1/2"	63.5	114	35	P218-25
3"	76.2	134	41	P218-30
4"	101.6	174	54	P218-40

## Swept Tee, 'Y'-Piece, Crosses & 'U' Bends

### 180° 'U' Bend



SIZE		DIM A	DIM B	CODE
Inch	mm	mm	mm	
0.75"	19.05	105	73	P188-075
1"	25.4	76.2	76.2	P188-10
1 1/2"	38.1	114.3	114.3	P188-15
2"	50.8	152.4	127	P188-20
2 1/2"	63.5	190.5	146.1	P188-25
3"	76.2	228.6	165.1	P188-30
4"	101.6	304.8	215.9	P188-40