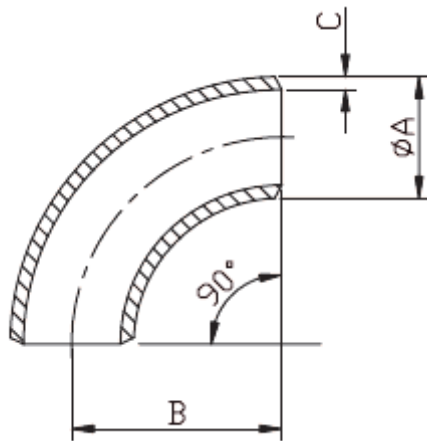


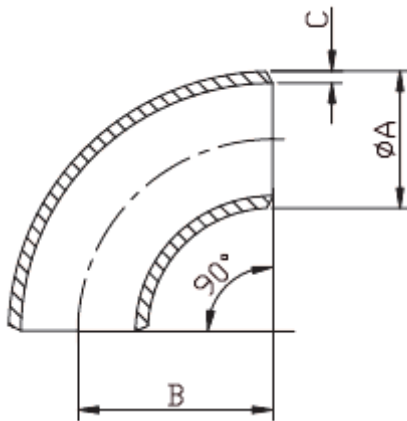
Butt Weld Fittings

Long Radius 90° Bend



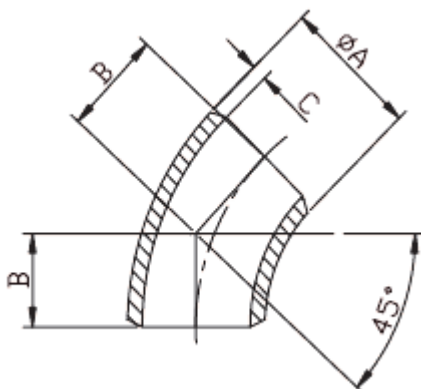
SIZE	A Ø D	B	C 10S	C 40S	KG/100 SCH 10S	KG/100 SCH 40S
1/2"	21.3	38.1	2.11	2.77	6.1	7.8
3/4"	26.6	28.6	2.11	2.87	7.8	10.3
1"	33.4	38.1	2.77	3.38	12.8	15.4
1 1/4"	42.1	47.6	2.77	3.56	20.6	26.0
1 1/2"	48.1	57.2	2.77	3.68	28.3	36.8
2"	60.3	76.2	2.77	3.91	47.8	65.2
2 1/2"	73.0	95.2	3.05	5.16	81.2	137.0
3"	88.9	114.0	3.05	5.49	114.0	204.0
4"	114.3	152.0	3.05	6.02	197.0	384.0
5"	141.3	191.0	3.40	6.55	342.0	648.0
6"	168.3	228.6	3.40	7.11	487.0	994.0

Short Radius 90° Bend



SIZE	A Ø D	B	C 10S	C 40S	KG/100 SCH 10S	KG/100 SCH 40S
1"	33.4	25.4	2.77	3.38	9.4	11.8
1 1/4"	42.1	31.8	2.77	3.56	15.2	20.4
1 1/2"	48.1	38.1	2.77	3.68	18.9	24.5
2"	60.3	50.8	2.77	3.91	31.8	43.4
2 1/2"	73.0	63.5	3.05	5.16	54.1	90.9
3"	88.9	76.2	3.05	5.49	76.1	136.0
4"	114.3	101.6	3.05	6.02	131.0	256.0
5"	141.3	127.0	3.40	6.55	228.0	432.0
6"	168.3	152.4	3.40	7.11	324.0	663.0

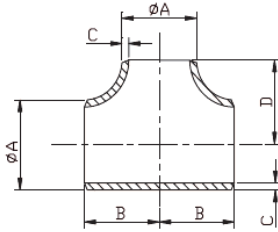
Long Radius 45° Bend



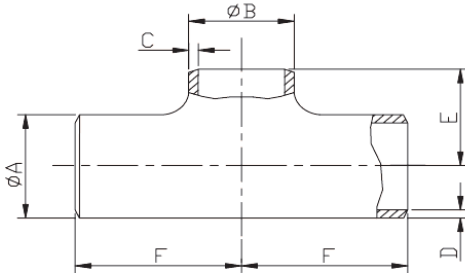
SIZE	A Ø D	B	C 10S	C 40S	KG/100 SCH 10S	KG/100 SCH 40S
1/2"	21.3	15.88	2.11	2.77	3.0	3.9
3/4"	26.6	11.13	2.11	2.87	3.9	5.2
1"	33.4	22.23	2.77	3.38	6.4	7.7
1 1/4"	42.1	25.4	2.77	3.56	10.3	13.0
1 1/2"	48.1	28.45	2.77	3.68	14.2	18.4
2"	60.3	33.05	2.77	3.91	23.9	32.6
2 1/2"	73.0	44.45	3.05	5.16	40.6	68.3
3"	88.9	50.80	3.05	5.49	57.1	102.0
4"	114.3	63.50	3.05	6.02	98.5	192.0
5"	141.3	79.25	3.40	6.55	171.0	324.0
6"	168.3	95.25	3.40	7.11	243.0	497.0

Butt Weld Fittings

Equal Tees



Reducing Tees

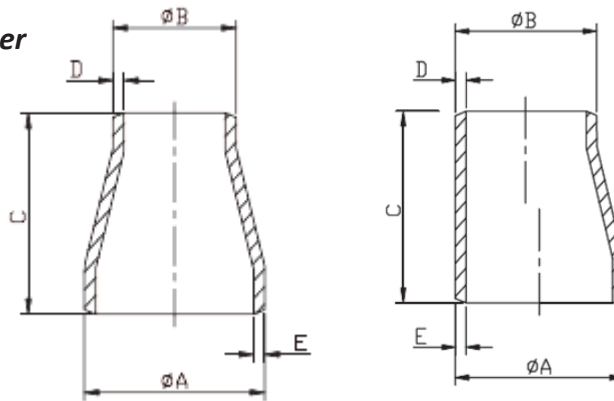


SIZE	A Ø D	B/D	C 10S	C 40S	KG/100 SCH 10S	KG/100 SCH 40S
1/2"	21.3	25.40	2.11	2.77	9.0	18.1
3/4"	26.6	28.70	2.11	2.87	12.9	25.8
1"	33.4	38.10	2.77	3.38	22.3	25.6
1 1/4"	42.1	47.75	2.77	3.56	35.6	46.3
1 1/2"	48.3	57.15	2.77	3.68	49.7	64.8
2"	60.3	63.50	2.77	3.91	68.1	89.3
2 1/2"	73.0	76.20	3.05	5.16	120.0	198.0
3"	88.9	85.85	3.05	5.49	157.0	261.0
4"	114.3	104.9	3.05	6.02	246.0	476.0
5"	141.3	124.0	3.40	6.55	404.0	784.0
6"	168.3	143.0	3.40	7.11	550.0	954.0

SCH. 10S								SCH. 40S							
SIZE	A Ø D	B Ø D	C	D	E	F	Kg/100	SIZE	A Ø D	B Ø D	C	D	E	F	Kg/100
3/4" x 1/2"	26.6	21.3	2.11	2.11	28.7	28.7	12.3	3/4" x 1/2"	26.6	21.3	2.77	2.87	28.7	28.7	18.0
1" x 1/2"	33.4	21.3	2.11	2.77	38.1	38.1	20.4	1" x 1/2"	33.4	21.3	2.77	3.38	38.1	38.1	23.4
1" x 3/4"	33.4	26.6	2.11	2.77	38.1	38.1	21.2	1" x 3/4"	33.4	26.6	2.87	3.38	38.1	38.1	24.4
1 1/4" x 1"	42.1	33.4	2.77	2.77	47.8	47.8	33.9	1 1/4" x 1"	42.1	33.4	3.38	3.56	47.8	47.8	44.1
1 1/2" x 1"	48.3	33.4	2.77	2.77	57.2	57.2	46.1	1 1/2" x 1"	48.3	33.4	3.38	3.68	57.2	57.2	60.0
1 1/2" x 1 1/4"	48.3	42.1	2.77	2.77	57.2	57.2	48.2	1 1/2" x 1 1/4"	48.3	42.1	3.56	3.68	57.2	57.2	62.9
2" x 1"	60.3	33.4	2.77	2.77	50.8	63.5	72.5	2" x 1"	60.3	33.4	3.38	3.91	50.8	63.5	114.0
2" x 1 1/4"	60.3	42.1	2.77	2.77	57.2	63.5	74.7	2" x 1 1/4"	60.3	42.1	3.56	3.91	57.2	63.5	118.0
2" x 1 1/2"	60.3	48.3	2.77	2.77	60.5	63.5	76.6	2" x 1 1/2"	60.3	48.3	3.68	3.91	60.5	63.5	123.0
2 1/2" x 1 1/2"	73.0	48.3	2.77	3.05	66.8	76.2	118.0	2 1/2" x 1 1/2"	73.0	48.3	3.68	5.16	66.8	76.2	208.0
2 1/2" x 2"	73.0	60.3	2.77	3.05	66.9	76.2	121.0	2 1/2" x 2"	73.0	60.3	3.91	5.16	66.9	76.2	212.0
3" x 1 1/2"	88.9	48.3	2.77	3.05	73.2	79.5	160.0	3" x 1 1/2"	88.9	48.3	3.91	5.49	73.2	79.5	298.0
3" x 2"	88.9	60.3	2.77	3.05	76.2	85.9	163.0	3" x 2"	88.9	60.3	3.91	5.49	76.2	85.9	301.0
3" x 2 1/2"	88.9	73.0	3.05	3.05	82.6	85.9	169.0	3" x 2 1/2"	88.9	73.0	3.68	5.49	82.6	85.9	315.0
4" x 2"	114.3	60.3	2.77	3.05	88.9	104.9	253.0	4" x 2"	114.3	60.3	3.91	6.02	88.9	104.9	508.0
4" x 2 1/2"	114.3	73.0	3.05	3.05	95.3	104.9	259.0	4" x 2 1/2"	114.3	73.0	5.16	6.02	95.3	104.9	522.0
4" x 3"	114.3	88.9	3.05	3.05	98.6	104.9	261.0	4" x 3"	114.3	88.9	5.49	6.02	98.6	104.9	527.0
5" x 3"	141.3	88.9	3.05	3.40	111.3	124.0	417.0	5" x 3"	141.3	88.9	5.49	6.55	111.3	124.0	813.0
5" x 4"	141.3	114.3	3.05	3.40	117.6	124.0	424.0	5" x 4"	141.3	114.3	6.02	6.55	117.6	124.0	836.0
6" x 3"	168.3	88.9	3.05	3.40	124.0	143.0	575.0	6" x 3"	168.3	88.9	5.49	7.11	124.0	143.0	1192.0
6" x 4"	168.3	114.3	3.05	3.40	130.3	143.0	585.0	6" x 4"	168.3	114.3	6.02	7.11	130.3	143.0	1210.0
6" x 5"	168.3	141.3	3.40	3.40	136.7	143.0	592.0	6" x 5"	168.3	141.3	6.55	7.11	136.7	143.0	1234.0

Butt Weld Fittings

Concentric & Eccentric Reducer

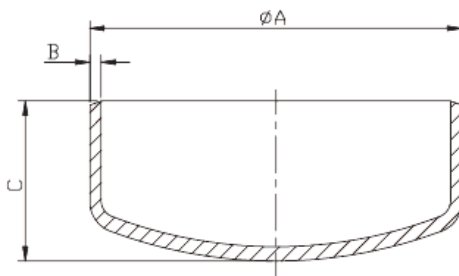


SCH. 10S						
SIZE	A ϕD	B ϕD	C	D	E	Kg/100
3/4" x 1/2"	26.6	21.3	38.1	2.11	2.11	9.0
1" x 1/2"	33.4	21.3	50.8	2.11	2.77	9.0
1" x 3/4"	33.4	26.6	50.8	2.11	2.77	9.8
1 1/4" x 1"	42.1	33.4	50.8	2.77	2.77	12.5
1 1/2" x 1/2"	48.3	21.3	63.5	2.11	2.77	15.4
1 1/2" x 3/4"	48.3	26.6	63.5	2.11	2.77	15.6
1 1/2" x 1"	48.3	33.4	63.5	2.77	2.77	17.0
1 1/2" x 1 1/4"	48.3	42.1	63.5	2.77	2.77	19.5
2" x 3/4"	60.3	26.6	76.2	2.11	2.77	21.4
2" x 1"	60.3	33.4	76.2	2.77	2.77	23.7
2" x 1 1/4"	60.3	42.1	76.2	2.77	2.77	25.8
2" x 1 1/2"	60.3	48.3	76.2	2.77	2.77	27.3
2 1/2" x 1 1/2"	73.0	48.3	88.9	2.77	3.05	39.6
2 1/2" x 2"	73.0	60.3	88.9	2.77	3.05	43.2
3" x 1 1/2"	88.9	48.3	88.9	2.77	3.05	44.4
3" x 2"	88.9	60.3	88.9	2.77	3.05	47.8
3" x 2 1/2"	88.9	73.0	88.9	3.05	3.05	54.8
4" x 2"	114.3	60.3	101.6	2.77	3.05	65.6
4" x 2 1/2"	114.3	73.0	101.6	3.05	3.05	70.6
4" x 3"	114.3	88.9	101.6	3.05	3.05	74.8
5" x 3"	141.3	88.9	127.0	3.05	3.40	120.0
5" x 4"	141.3	114.3	127.0	3.05	3.40	132.0
6" x 3"	168.3	88.9	139.7	3.05	3.40	150.0
6" x 4"	168.3	114.3	139.7	3.05	3.40	162.0
6" x 5"	168.3	141.3	139.7	3.40	3.40	175.0

SCH. 40S						
SIZE	A ϕD	B ϕD	C	D	E	Kg/100
3/4" x 1/2"	26.6	21.3	3.81	2.77	2.87	10.5
1" x 1/2"	33.4	21.3	50.8	2.77	3.38	10.5
1" x 3/4"	33.4	26.6	50.8	2.87	3.38	11.6
1 1/4" x 1"	42.1	33.4	50.8	3.38	3.56	15.7
1 1/2" x 1/2"	48.3	21.3	63.5	2.77	3.68	20.4
1 1/2" x 3/4"	48.3	26.6	63.5	2.87	3.68	21.0
1 1/2" x 1"	48.3	33.4	63.5	3.56	3.68	21.9
1 1/2" x 1 1/4"	48.3	42.1	63.5	3.56	3.68	26.3
2" x 3/4"	60.3	26.6	76.2	2.87	3.91	29.8
2" x 1"	60.3	33.4	76.2	3.38	3.91	32.2
2" x 1 1/4"	60.3	42.1	76.2	3.56	3.91	35.2
2" x 1 1/2"	60.3	48.3	76.2	3.68	3.91	37.2
2 1/2" x 1 1/2"	73.0	48.3	88.9	3.68	5.16	66.1
2 1/2" x 2"	73.0	60.3	88.9	3.91	5.16	68.0
3" x 1 1/2"	88.9	48.3	88.9	3.68	5.49	78.3
3" x 2"	88.9	60.3	88.9	3.91	5.49	84.6
3" x 2 1/2"	88.9	73.0	88.9	5.16	5.49	98.3
4" x 2"	114.3	60.3	101.6	3.91	6.02	127.0
4" x 2 1/2"	114.3	73.0	101.6	5.16	6.02	137.0
4" x 3"	114.3	88.9	101.6	5.49	6.02	145.0
5" x 3"	141.3	88.9	127.0	5.49	6.55	227.0
5" x 4"	141.3	114.3	127.0	6.02	6.55	250.0
6" x 3"	168.3	88.9	139.7	5.49	7.11	304.0
6" x 4"	168.3	114.3	139.7	6.02	7.11	330.0
6" x 5"	168.3	141.3	139.7	6.55	7.11	357.0

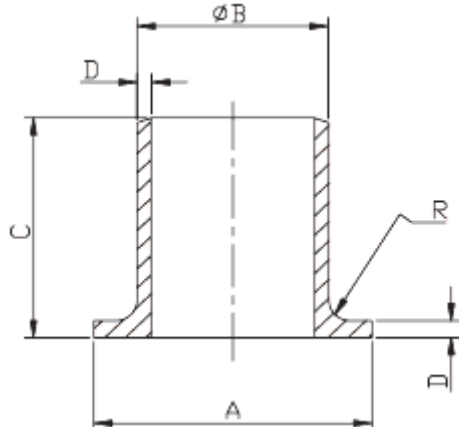
Butt Weld Fittings

Cap



SIZE	A ϕD	B 10S	B 40S	C	KG/100 SCH 10S	KG/100 SCH 40S
1/2"	21.3	2.11	2.77	25.4	4.0	4.6
3/4"	26.6	2.11	2.87	25.4	5.2	5.9
1"	33.4	2.77	3.38	38.1	9.0	10.9
1 1/4"	42.1	2.77	3.56	38.1	11.3	14.5
1 1/2"	48.1	2.77	3.68	38.1	13.0	17.1
2"	60.3	2.77	3.91	38.1	16.8	23.4
2 1/2"	73.0	3.05	5.16	50.4	24.2	42.0
3"	88.9	3.05	5.49	63.5	36.2	66.4
4"	114.3	3.05	6.02	76.2	58.5	117.0
5"	141.3	3.40	6.55	88.9	97.8	190.0
6"	168.3	3.40	7.11	101.6	135.0	283.0

Stub Ends MSS Type A



SIZE	A	B ϕD	C	D 10S	D 40S	KG/100 SCH 10S	KG/100 SCH 40S
1/2"	34.9	21.3	50.8	2.11	2.77	3.2	11.8
3/4"	42.8	26.6	50.8	2.11	2.87	3.2	15.4
1"	50.8	33.4	50.8	2.77	3.38	3.2	18.6
1 1/4"	63.5	42.1	50.8	2.77	3.56	4.8	26.3
1 1/2"	73.0	48.1	50.8	2.77	3.68	6.4	37.6
2"	92.0	60.3	63.5	2.77	3.91	7.9	53.9
2 1/2"	104.8	73.0	63.5	3.05	5.16	7.9	79.7
3"	127.0	88.9	63.5	3.05	5.49	9.5	113.3
4"	157.2	114.3	76.2	3.05	6.02	11.1	181.2
5"	185.7	141.3	76.2	3.40	6.55	11.1	253.7
6"	215.9	168.3	88.9	3.40	7.11	12.7	372.0